

dizzer[®] L PB Series

8" Multibore[®] Ultrafiltration Elements
for Horizontal Systems



dizzer® L 0.9 MB 40 PB for horizontal replacements

The dizzer® L PB series of UF elements introduces Multibore® – the world’s most stable UF membrane – to the horizontal replacement market. These UF elements are designed to streamline one-to-one replacements of existing horizontal UF systems on-site with Multibore®. This enables system integrators and operators to improve the performance and reliability of their water treatment plants while maintaining existing pressure housings and without having to adjust upstream or downstream equipment. The dizzer® L 0.9 MB 40 PB offers 40 m² of filtration surface. Utilizing a capillary diameter of 0.9 mm, this UF element is prepared to handle a wide range of water qualities while requiring minimum maintenance.



Multibore® 0.9 membrane

| Membrane data | | | |
|-----------------------|----|------|----------------------|
| Capillaries per fibre | | | 7 |
| Inner diameter | mm | inch | 0.9 0.04 |
| Pore size | µm | | approx. 0.02 |
| Material | | | PESM |
| Mode of operation | | | In-to-Out filtration |

dizzer® L 0.9 MB 40 PB UF element

| Module data | | | | dizzer® L 0.9 MB 40 PB | |
|--|----------------|--------|--------------|------------------------|--|
| Part number | | | | VK-0108 | |
| Active membrane area | m ² | sq.ft. | 40 | 430 | |
| Length (L) | mm | inch | 1527.5 ± 1.5 | 60.1 | |
| Outer diameter module (D) | mm | inch | 200 | 8 | |
| Inner diameter permeate tube (d1) | mm | inch | 42.6 | 2 | |
| Inner diameter feed bypass tubes (d2) | mm | inch | 22 | 0.87 | |
| Maximum insertion depth of interconnectors (C) | mm | inch | 55 | 2.17 | |
| Shipping weight (wet) | kg | lbs. | 25 | 55 | |
| Casing material | | | | PVC-U, white | |

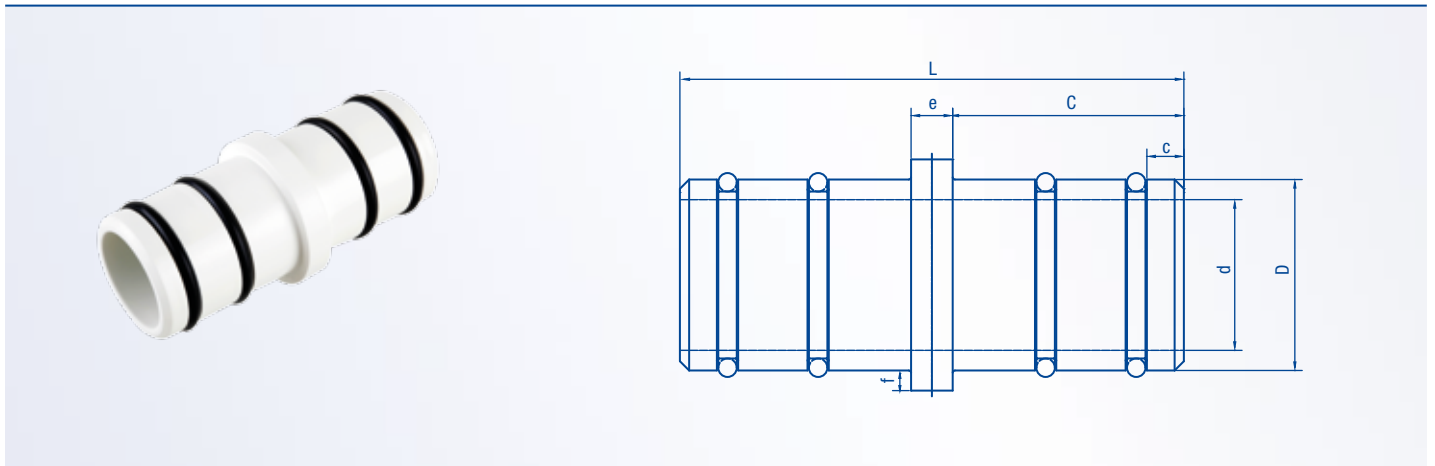
Technical information

| Operating parameters | | | | | |
|--|-----|----------------------|----------------------------|----------|--|
| Temperature range | °C | °F | 1 – 40 | 32 – 104 | |
| Flux rate | | | | | |
| Filtration | | l/(m ² h) | 60 – 180 | | |
| Backwash | | l/(m ² h) | 230 – 300 | | |
| Transmembrane pressure (TMP) | | | | | |
| Filtration max. | bar | psi | 3.0 | 43.51 | |
| Backwash max. | bar | psi | 3.0 | 43.51 | |
| Burst pressure | bar | psi | > 10 | > 150 | |
| Chemicals for cleaning and disinfection | | | | | |
| NaClO (Sodium Hypochlorite) | | ppm | max. 500 | | |
| | | ppm x h | max. 250,000 (at pH ≥ 9.5) | | |
| H ₂ O ₂ (Hydrogenperoxide) | | ppm | max. 500 | | |
| Caustic soda pH | | | max. 13 | | |
| Acid pH | | | min. 1 | | |

© = Registered trademark of BASF

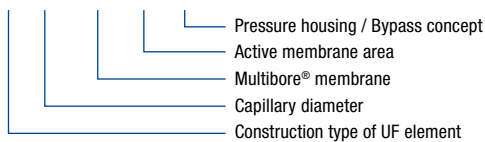
Interconnector Set incl. 4 O-Rings (EPDM) for horizontal operation of dizzer® L PB series

Interconnectors are used as an adapter for the filtrate-sided connection of multiple UF elements in line. inge® interconnectors are specifically designed to be used with horizontally operated inge® UF elements from the dizzer® L PB series.



UF element designation

dizzer® L 0.9 MB 40 PB



Interconnector Set incl. 4 O-rings for dizzer® L PB series

| Interconnector | | | | |
|---|-------------|------|------|------|
| Part number | VK-0106 | | | |
| Material of interconnector | PVC-U white | | | |
| Total length of interconnector (L) | mm | inch | 109 | 4.29 |
| Outer diameter of interconnector (D) | mm | inch | 41.3 | 1.62 |
| Inner diameter of interconnector (d) | mm | inch | 32.6 | 1.28 |
| Shipping weight incl. o-rings | g | oz | 80 | 2.81 |
| Depth of insertion of interconnectors (C) | mm | inch | 50 | 1.97 |
| Distance to outer o-ring (c) | mm | inch | 8 | 0.32 |
| Width of stopper (e) | mm | inch | 9 | 0.35 |
| Excess length of stopper (f) | mm | inch | 4 | 0.16 |
| O-Rings | | | | |
| Material of o-ring | EPDM | | | |
| Thickness of o-ring | mm | inch | 4 | 0.16 |
| Inner diameter of o-ring | mm | inch | 35 | 1.38 |

Note

The descriptions, designs, data and information („Product Information“) contained herein are presented in good faith and are based on inge GmbH's current knowledge and experience. inge GmbH cannot accept any liability for the accuracy of this Product Information, which is provided at no charge and for guidance only.

inge® products are designed to specifically be operated in accordance with the corresponding inge® „Operator's Manual“. The Product Information and products are protected by copyright and/or other intellectual property laws worldwide. However, inge GmbH cannot guarantee that the Product Information and products can be used without infringing third party intellectual property rights. The products and Product Information may only be used, distributed and marketed with the express prior permission of inge GmbH.

No warranties of any kind regarding the products, either expressed or implied, including, but not limited to, warranties of merchantability, fitness for a particular purpose or no third party rights are made, other than as expressly set out in the contractual agreement with the customer. Mechanical stability and full functionality of inge® products can only be provided by genuine inge® parts.

inge GmbH reserves the right to modify products and Product Information at any time without prior information. Current Product Information can be obtained from the website www.inge.basf.com

Technical Specifications dizzyer L 40 PB 2(2016-11) E inge

inge GmbH
Flurstrasse 27
86926 Greifenberg, Germany
Phone +49 8192 997-700
Fax +49 8192 997-999
info@inge.ag

www.inge.basf.com

By courtesy of inge GmbH, Germany