

dizzer[®] L PB Series

8" Multibore[®] Ultrafiltration Elements
for Horizontal Systems



dizzer® L 0.9 MB 40 PB for horizontal replacements

The dizzer® L PB series of UF elements introduces Multibore® – the world’s most stable UF membrane – to the horizontal replacement market. These UF elements are designed to streamline one-to-one replacements of existing horizontal UF systems on-site with Multibore®. This enables system integrators and operators to improve the performance and reliability of their water treatment plants while maintaining existing pressure housings and without having to adjust upstream or downstream equipment. The dizzer® L 0.9 MB 40 PB offers 40 m² of filtration surface. Utilizing a capillary diameter of 0.9 mm, this UF element is prepared to handle a wide range of water qualities while requiring minimum maintenance.



Multibore® 0.9 membrane

Membrane data			
Capillaries per fibre			7
Inner diameter	mm	inch	0.9 0.04
Pore size	µm		approx. 0.02
Material			PESM
Mode of operation			In-to-Out filtration

dizzer® L 0.9 MB 40 PB UF element

Module data				dizzer® L 0.9 MB 40 PB	
Part number				VK-0108	
Active membrane area	m ²	sq.ft.	40	430	
Length (L)	mm	inch	1527.5 ± 1.5	60.1	
Outer diameter module (D)	mm	inch	200	8	
Inner diameter permeate tube (d1)	mm	inch	42.6	2	
Inner diameter feed bypass tubes (d2)	mm	inch	22	0.87	
Maximum insertion depth of interconnectors (C)	mm	inch	55	2.17	
Shipping weight (wet)	kg	lbs.	25	55	
Casing material				PVC-U, white	

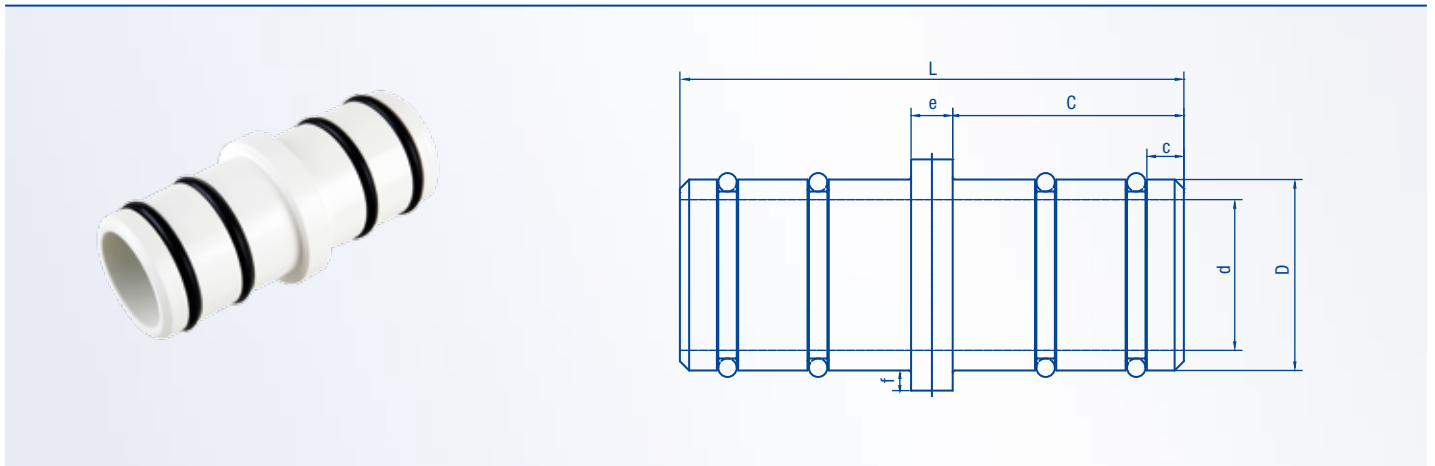
Technical information

Operating parameters					
Temperature range	°C	°F	1 – 40	32 – 104	
Flux rate					
Filtration		l/(m ² h)	60 – 180		
Backwash		l/(m ² h)	230 – 300		
Transmembrane pressure (TMP)					
Filtration max.	bar	psi	3.0	43.51	
Backwash max.	bar	psi	3.0	43.51	
Burst pressure	bar	psi	> 10	> 150	
Chemicals for cleaning and disinfection					
NaClO (Sodium Hypochlorite)	ppm	ppm x h	max. 500 max. 250,000 (at pH ≥ 9.5)		
H ₂ O ₂ (Hydrogenperoxide)	ppm		max. 500		
Caustic soda pH			max. 13		
Acid pH			min. 1		

© = Registered trademark of BASF

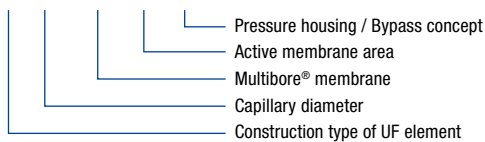
Interconnector Set incl. 4 O-Rings (EPDM) for horizontal operation of dizzer® L PB series

Interconnectors are used as an adapter for the filtrate-sided connection of multiple UF elements in line. inge® interconnectors are specifically designed to be used with horizontally operated inge® UF elements from the dizzer® L PB series.



UF element designation

dizzer® L 0.9 MB 40 PB



Interconnector Set incl. 4 O-rings for dizzer® L PB series

Interconnector				
Part number	VK-0106			
Material of interconnector	PVC-U white			
Total length of interconnector (L)	mm	inch	109	4.29
Outer diameter of interconnector (D)	mm	inch	41.3	1.62
Inner diameter of interconnector (d)	mm	inch	32.6	1.28
Shipping weight incl. o-rings	g	oz	80	2.81
Depth of insertion of interconnectors (C)	mm	inch	50	1.97
Distance to outer o-ring (c)	mm	inch	8	0.32
Width of stopper (e)	mm	inch	9	0.35
Excess length of stopper (f)	mm	inch	4	0.16
O-Rings				
Material of o-ring	EPDM			
Thickness of o-ring	mm	inch	4	0.16
Inner diameter of o-ring	mm	inch	35	1.38

Note

The descriptions, designs, data and information („Product Information“) contained herein are presented in good faith and are based on inge GmbH's current knowledge and experience. inge GmbH cannot accept any liability for the accuracy of this Product Information, which is provided at no charge and for guidance only.

inge® products are designed to specifically be operated in accordance with the corresponding inge® „Operator's Manual“. The Product Information and products are protected by copyright and/or other intellectual property laws worldwide. However, inge GmbH cannot guarantee that the Product Information and products can be used without infringing third party intellectual property rights. The products and Product Information may only be used, distributed and marketed with the express prior permission of inge GmbH.

No warranties of any kind regarding the products, either expressed or implied, including, but not limited to, warranties of merchantability, fitness for a particular purpose or no third party rights are made, other than as expressly set out in the contractual agreement with the customer. Mechanical stability and full functionality of inge® products can only be provided by genuine inge® parts.

inge GmbH reserves the right to modify products and Product Information at any time without prior information. Current Product Information can be obtained from the website www.inge.basf.com